

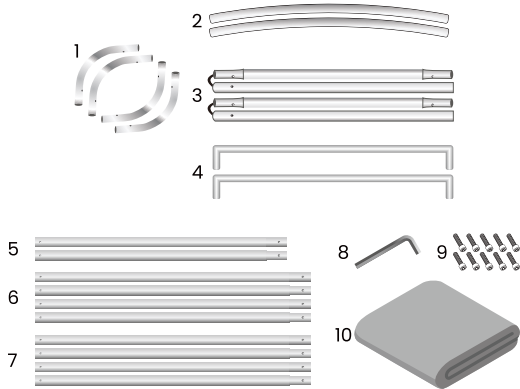
Square Arch

Assembly Instructions

1. Top Curved Corners (x4)
2. Corner Horizontal Support Poles (2)
3. 2pc Shock-Corded Horizontal Top Poles (x2)
4. Bottom Ends (x2)
5. Horizontal Support Poles (x2)
6. Top Side Poles (x4)
7. Bottom Side Poles (x4)
8. Hex Wrench
9. Threaded Bolts (x10)
10. Graphic

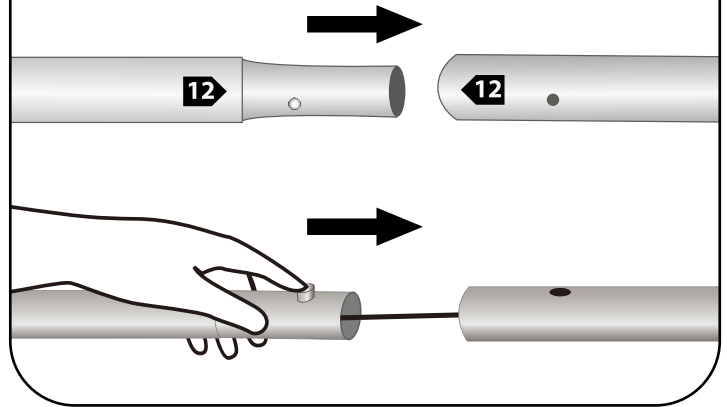
1 Parts Removing

Remove all parts from the carrying case and lay them out on a clean flat surface. Make sure you have all the components listed above.



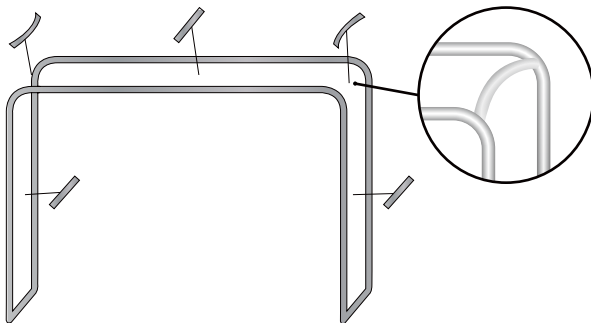
2 Assemble The Frame

Connect all of the poles together by matching each number to its counterpart. Press the snap button to allow for secure connections.



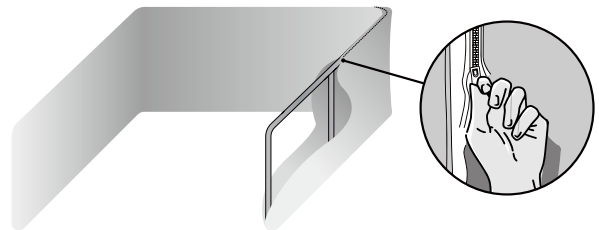
3 Install The Poles

Horizontal support poles (5) and Corner Support Poles (2) should be threaded in after all poles are connected using the supplied threaded bolts (9) and Hex Wrench (8).



4 Install The Graphic

Lay the frame on its side and drape the printed graphics over frame and fasten the zipper around the frame. Carefully stand the Arch upright.



Storage & Care:

Store in a cool dry location. Clean hardware with a damp cloth. Machine wash the graphics in cold water on a gently cycle. Air dry only. Use a steamer for wrinkles. Never dry-clean.